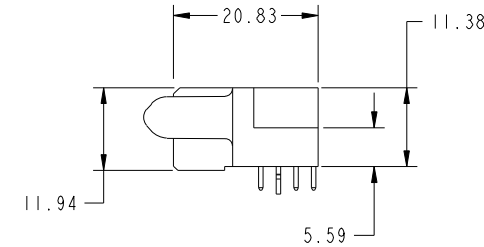
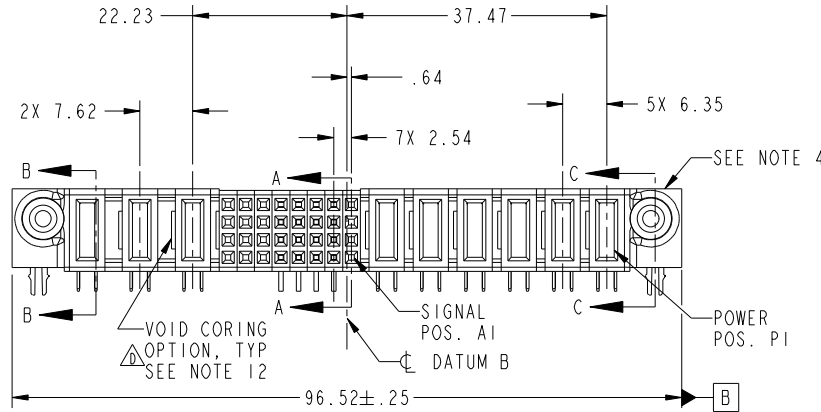
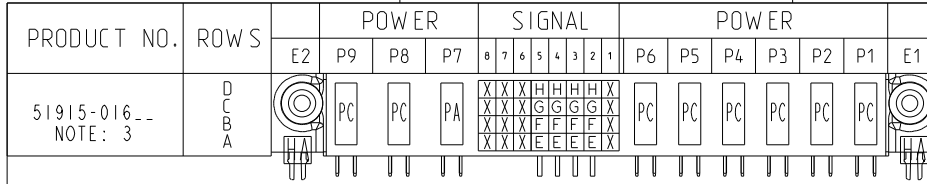


Tous droits strictement reserves. Reproduction ou communication a des tiers interdite sous quelque forme que ce soit sans autorisation écrite du propriétaire. Propriete de c FCI. Droits de reproduction FCI.



All rights strictly reserved. Reproduction or issue to third parties in any form whatever is not permitted without written authority from the proprietor. Property of FCI. Copyright FCI.



CODE	DIM "M" MATING LENGTH	CONTACT TYPE
E	[N/A]	SIGNAL
F	[N/A]	SIGNAL
G	[N/A]	SIGNAL
H	[N/A]	SIGNAL
PA	[1.07]	POWER
PC	[2.34]	POWER
HA	[N/A]	HOLD-DOWN
X	OMITTED	OMITTED

mat'l code				SEE NOTE 2		tolerances unless otherwise specified		CUSTOMER	
ltr	ecn no.	dr	date	linear	0.X ± 0.5	projection		COPY	
A	V21660	TAB	10/17/02	angles	0.XX ± 0.25	MIM		title	
B	V21750	TAB	11/12/02		0.XXX ± 0.10	1:1		6P + 32S + 3ACP	
C	DG05-0300	GuoJM	08/29/05		0° + 2°			R/A SOLDER RECEPTACLE	
D	DG07-0498	JW	09/15/08	dr				product family PwrBlade code	
				enrg	T. BRUNGARD 10/17/02			size 213	
				chr	M. MOSTOLLER 10/17/02			dwg no 51915-016 sheet	
				appd	M. MOSTOLLER 10/17/02			1 of 4	
sheet index	revision sheet	D 1	D 2	D 3	D 4				

www.fciconnect.com  
**6P + 32S + 3ACP**  
**R/A SOLDER RECEPTACLE**  
 product family PwrBlade code 213  
 size dwg no 51915-016 sheet 1 of 4  
 cage code 22526

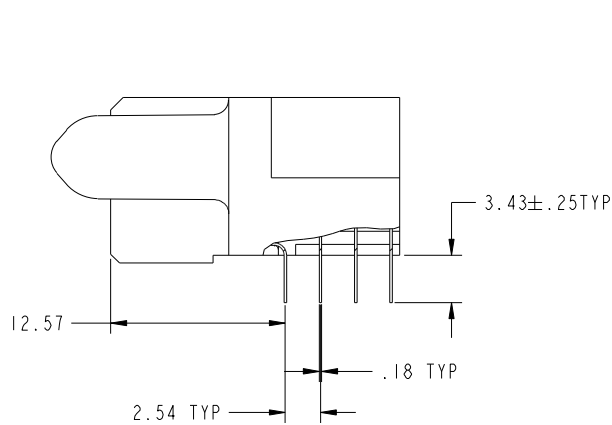
Pro/E

Tous droits strictement reserves. Reproduction ou communication a des tiers interdite sous quelque forme que ce soit sans autorisation ecrite du proprietaire. Propriete de c FCI. Droits de reproduction FCI.

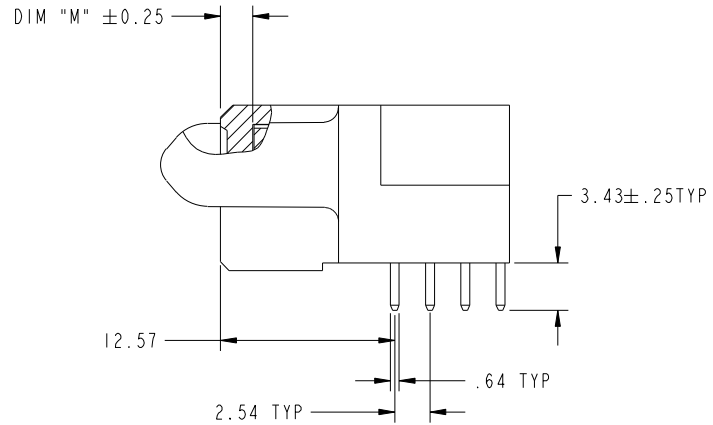


All rights strictly reserved. Reproduction or issue to third parties in any form whatever is not permitted without written authority from the proprietor. Property of FCI. Copyright FCI.

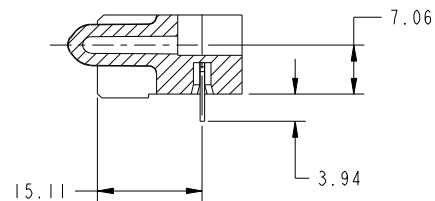
PRODUCT NUMBER  
51915-016--  
NOTE: 3



BROKEN-OUT SECTION A-A  
SCALE 2:1



BROKEN-OUT SECTION B-B  
SCALE 2:1



SECTION C-C

mat'l code		SEE NOTE 2		tolerances unless otherwise specified		CUSTOMER		www.fciconnect.com	
ltr	ecn no.	dr	date	linear	0.X ± 0.5	COPY		title	
D					0.XX ± 0.25	projection		6P + 32S + 3ACP R/A SOLDER RECEPTACLE	
				angles	0.XXX ± 0.10			product family PwrBlade code 213	
				dr	0° + 2°			size dwg no 213	
				enrg	T. BRUNGARD 10/17/02	scale		sheet 2	
				chr	M. MOSTOLLER 10/17/02	1:1		51915-016	
				appd	M. MOSTOLLER 10/17/02				
sheet index	revision sheet								

cage code 22526

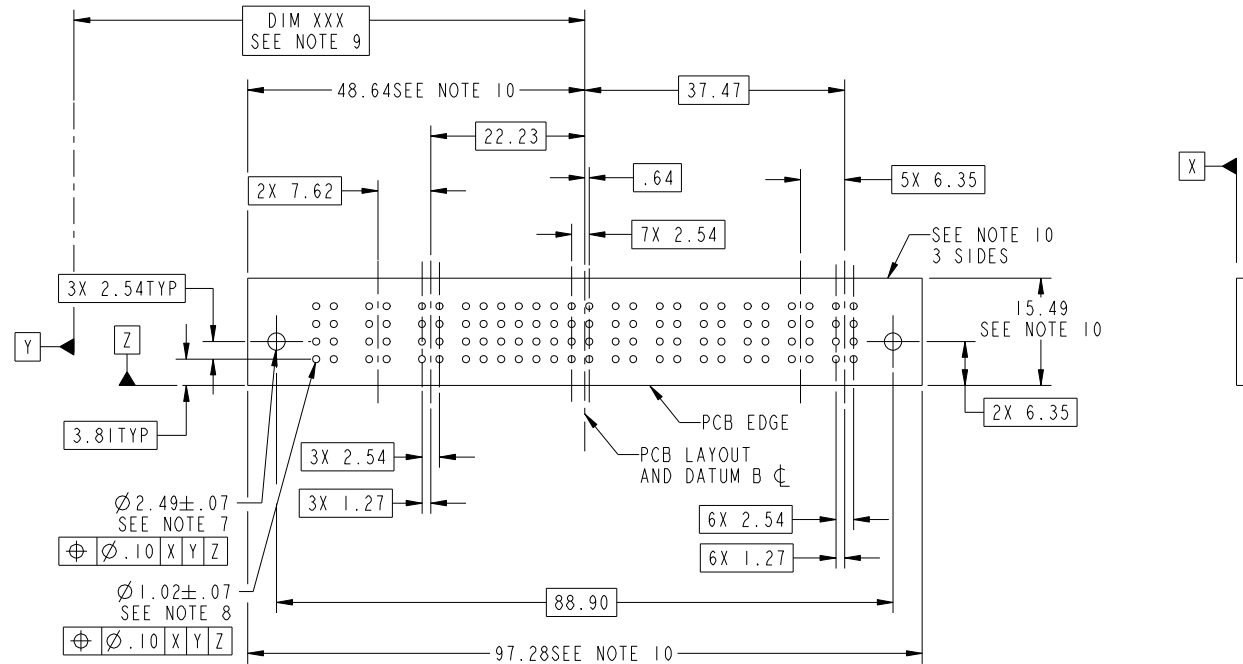
Pro/E

Tous droits strictement reserves. Reproduction ou communication a des tiers interdite sous quelque forme que ce soit sans autorisation écrite du propriétaire. Propriete de c FCI. Droits de reproduction FCI.



All rights strictly reserved. Reproduction or issue to third parties in any form whatever is not permitted without written authority from the proprietor. Property of FCI. Copyright FCI.

PRODUCT NUMBER  
51915-016--  
NOTE: 3



mat'l code				SEE NOTE 2		tolerances unless otherwise specified		CUSTOMER		FCI www.fciconnect.com	
ltr	ecn no.	dr	date	linear	0.X ± 0.5	COPY		projection		title	
D					0.XX ± 0.25					6P + 32S + 3ACP R/A SOLDER RECEPTACLE	
				angles	0.XXX ± 0.10					product family PwrBlade code	
				dr	T. BRUNGARD 10/17/02			size		213	
				enrg	M. MOSTOLLER 10/17/02			dwg no		sheet	
				chr	M. MOSTOLLER 10/17/02			A		3	
				appd	M. MOSTOLLER 10/17/02	scale		1:1		51915-016	
sheet index	revision sheet										

cage code 22526

Pro/E

Tous droits strictement reserves. Reproduction ou communication a des tiers interdite sous quelque forme que ce soit sans autorisation ecrite du proprietaire. Propriete de c FCI. Droits de reproduction FCI.



All rights strictly reserved. Reproduction or issue to third parties in any form whatever is not permitted without written authority from the proprietor. Property of FCI. Copyright FCI.

PRODUCT NUMBER  
51915-016--  
NOTE: 3

NOTES:

1. DIMENSIONS AND TOLERANCES ARE IN ACCORDANCE WITH ASME Y14.5M, 1994 UNLESS OTHERWISE SPECIFIED.

CONNECTOR NOTES:

2. HOUSING MATERIAL: UL 94 V-0 GLASS FILLED HIGH-TEMP THERMOPLASTIC  
POWER CONTACT MATERIAL: COPPER ALLOY  
SIGNAL PIN MATERIAL: COPPER ALLOY

3. PLATING:  
SEE ITEM 5 & 6 IN PRINT 10064183 FOR PLATING SPEC OF 51915-016; 51915-016LF PRESPECTIVELY

4. MANUFACTURER'S NAME, P/N, AND DATE CODE TO APPEAR ON THIS SURFACE.

5. PRODUCT SPECIFICATION GS-12-149.  
APPLICATION SPECIFICATION BUS-20-067.

PCB NOTES:

6. ALL HOLE DIAMETERS ARE FINISHED HOLE SIZE.

7. MOUNTING HOLES, WHERE APPLICABLE, ARE UNPLATED.

8.  $\varnothing 1.151 \pm 0.025$  DRILLED HOLES PLATED WITH) 0.008 MIN SnPb OR Sn OVER 0.03 TO 0.08 Cu PLATING TO ACHIEVE  $\varnothing 1.02 \pm .07$  HOLE.

9. "DIM XXX" TO BE DETERMINED BY THE CUSTOMER.

10. CONNECTOR KEEP-OUT ZONE.

11. A  $\triangle$  SYMBOL WILL BE NEXT TO ANY DIMENSION, VIEW, OR NOTE WHICH HAS BEEN MODIFIED WITH THE CURRENT DRAWING REVISION.

12. THE VOID CORING IN BETWEEN POWER MODULES, SIGNAL MODULES AND END MODULES ARE OPTIONAL AND THE SHAPE MAY BE DIFFERENT FOR OPTIMIZING THE MOLDING PROCESS. THE VOID CORING WILL NOT EFFECT TO PRODUCT FUNCTION.

mat'l code				SEE NOTE 2		tolerances unless otherwise specified		CUSTOMER		FCI www.fciconnect.com	
ltr	ecn no.	dr	date	linear	0.X ± 0.5	COPY		projection		title	
D					0.XX ± 0.25	MIM				6P + 32S + 3ACP R/A SOLDER RECEPTACLE	
				angles	0.XXX ± 0.10	← MIM →		product family		PwrBlade code	
				dr	0° + 2°	scale		size		213	
				enrg	T. BRUNGARD 10/17/02	1:1		dwg no		sheet	
				chr	M. MOSTOLLER 10/17/02	A		51915-016		4	
				appd	M. MOSTOLLER 10/17/02						
sheet index	revision sheet										

cage code 22526

Pro/E